

# AVANT 600 SERIES

## Parts list

FROM SERIAL NUMBER: 47071

AVANT 630  
AVANT 635

A21216  
A21145



---

Manufacturer:

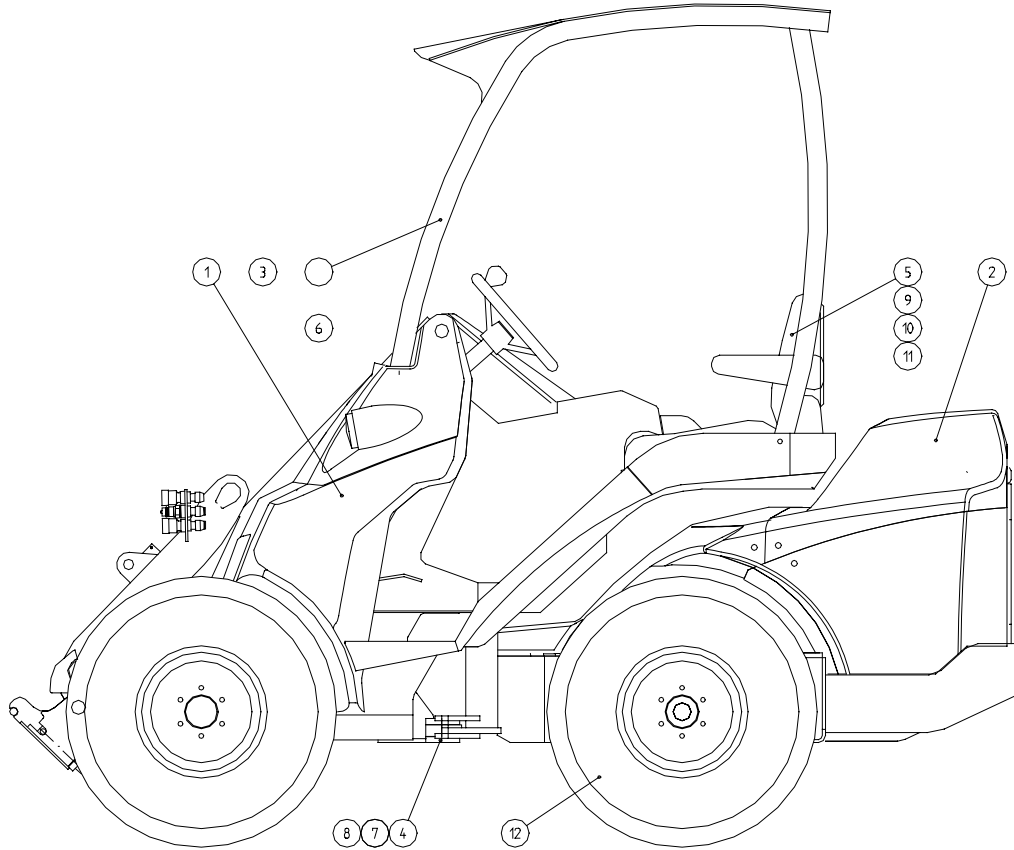
**AVANT**<sup>®</sup>

AVANT TECNO OY  
YLOTIE 1  
FIN-33470 YLOJARVI  
FINLAND  
Tel. +358 3 347 8800  
Fax +358 3 348 5511  
E-mail [sales@avanttecno.com](mailto:sales@avanttecno.com)  
[www.avanttecno.com](http://www.avanttecno.com)

# Contents

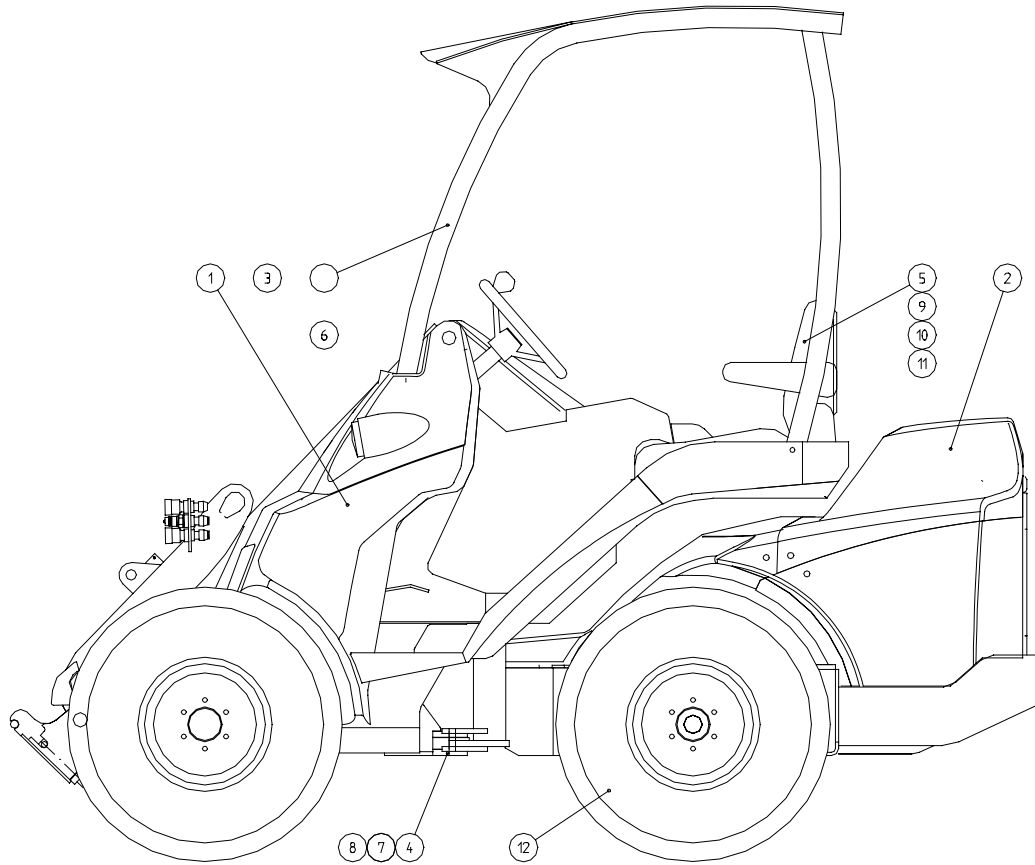
AVANT 630	A21216	3
AVANT 635	A21145	4
SAFETY FRAME	A33328	5
CHASSIS, FRONT	A1358	6,7
CHASSIS, REAR, AVANT 630	A21220	8,9
CHASSIS, REAR, AVANT 635	A21210	10,11
ENGINE, AVANT 630	A21219	12,13
ENGINE, AVANT 635	A21206	14,15
TELESCOPIC BOOM & SELF LEVELING	A21209	16-18
PARKING BRAKE	A33295	18
ELECTRIC SYSTEM	A47759	19
FUEL TANK	A47757	20
DRIVE MOTOR, FRONT	A47714	21
DRIVE MOTOR, REAR	A47703	21
HYDRAULIC OIL COOLER	A47723	22
DRIVE PEDAL	A33323	23
HYDRAULIC MANIFOLD	A33326	24
ANTI SLIP VALVE	A33327	25
DRIVE RELEASE VALVE	A47931	25
HYDRAULIC HOSES, DRIVE	A33322	26,27
BOOM FLOATING SYSTEM	A47773	28
AUX. HYDRAULICS REAR, DOUBLE ACT.	A47774	29
COVER PLATES, FRONT	A21212	30
COVER PLATES, REAR	A21211	31
MAIN CONTROL VALVE	A21213	32-34
FILTER LIST, 630 AND 635		34

AVANT 630 A21216



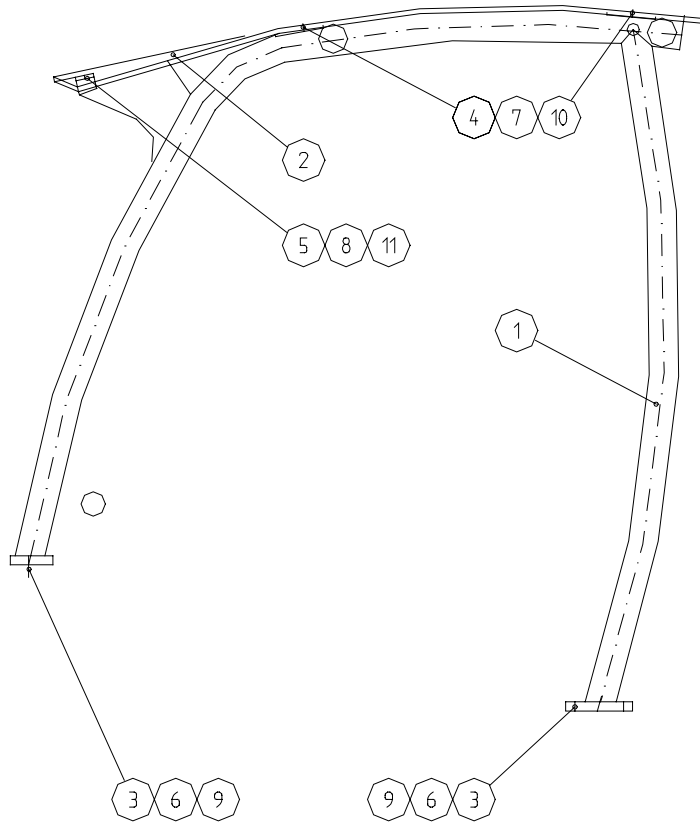
1	A1358	1	CHASSIS, FRONT
2	A21220	1	CHASSIS, REAR, AVANT 630/KUBOTA D1105
3	A47759	1	ELECTRIC SYSTEM
4	A47043	2	PIVOT PIN F40-63
5	64853	1	SEAT WITH SUSPENSION, SEAT FSP9216SF
6	A33322	1	HYDRAULIC HOSES, DRIVE
7	74752	2	HEXAGONAL HEAD SCREW M10*20 DIN7984
8	74531	2	WASHER, PAIR, M10 NL10 NORDLOCK
9	64792	1	ADJUSTMENT RAILS, SET, COBO G5043.001
10	72128	4	HEXAGONAL SCREW ZN M8* 12 DIN 933
11	72319	4	HEXAGONAL NUT ZN M8 DIN 934 ZN
12	64751	4	WHEEL, GRASS PROFILE LP26*12.00-12/4 T539
	64752	4	WHEEL, TRACT PROFILE LP26*12.00-12/4 T463
13	A33328	1	SAFETY FRAME
14	64602	1	TOGGLE SWITCH B067AP ON-OFF
15	64603	1	RUBBER COVER V-22
16	A48008	1	WIRE HARNESS, SEAT HEATER

## AVANT 635 A21145



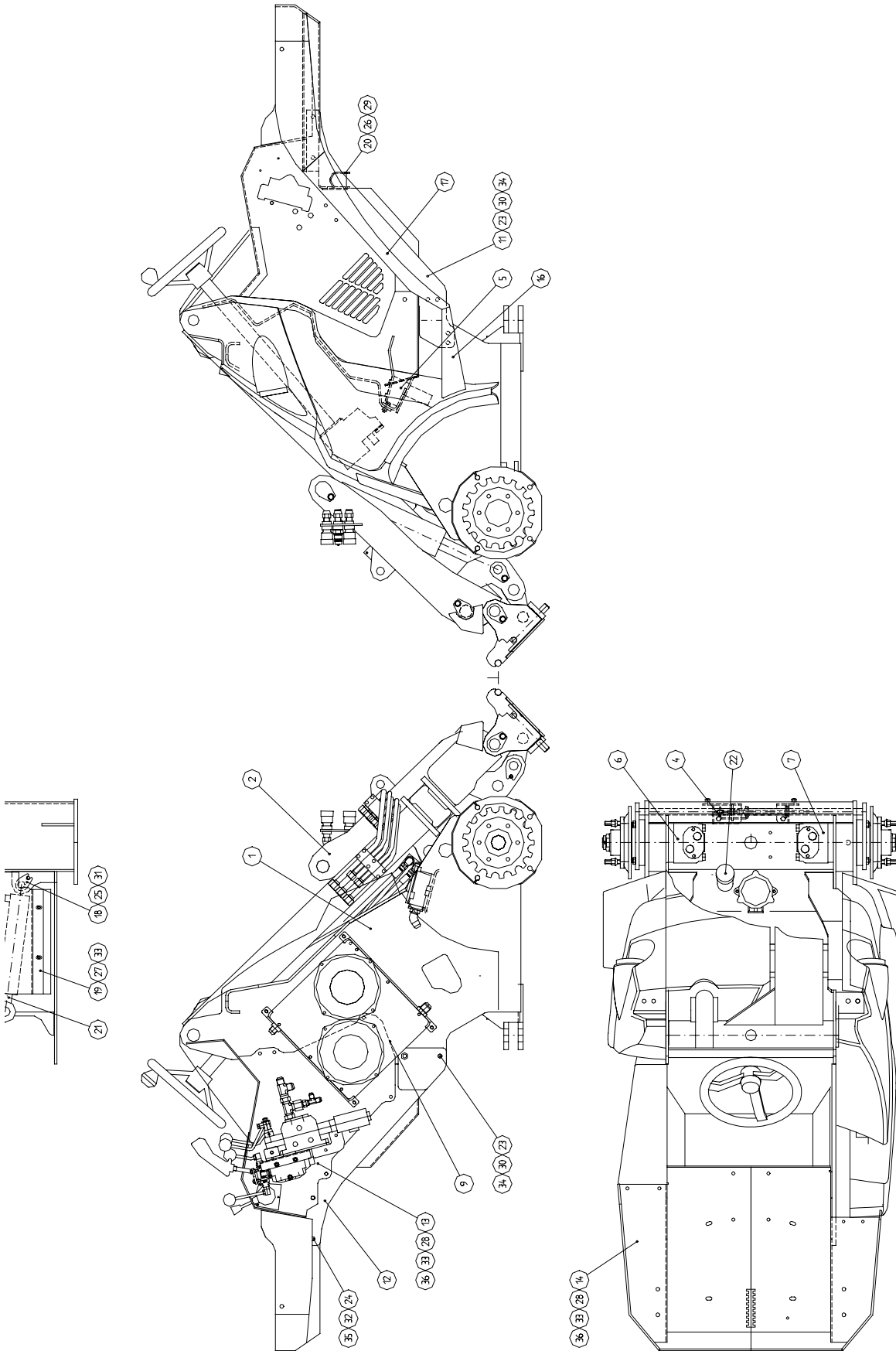
1	A1358	1	CHASSIS, FRONT
2	A21210	1	CHASSIS, REAR, AVANT 635/KUBOTA V1505
3	A47759	1	ELECTRIC SYSTEM
4	A47043	2	PIVOT PIN F40-63
5	64853	1	SEAT WITH SUSPENSION, SEAT FSP9216SF
6	A33322	1	HYDRAULIC HOSES, DRIVE
7	74752	2	HEXAGONAL HEAD SCREW M10*20 DIN7984
8	74531	2	WASHER, PAIR, M10 NL10 NORDLOCK
9	64792	1	ADJUSTMENT RAILS, SET, COBO G5043.001
10	72128	4	HEXAGONAL SCREW ZN M8* 12 DIN 933
11	72319	4	HEXAGONAL NUT ZN M8 DIN 934 ZN
12	64751	4	WHEEL, GRASS PROFILE LP26*12.00-12/4 T539
	64752	4	WHEEL, TRACT PROFILE LP26*12.00-12/4 T463
13	A33328	1	SAFETY FRAME
14	64602	1	TOGGLE SWITCH B067AP ON-OFF
15	64603	1	RUBBER COVER V-22
16	A48008	1	WIRE HARNESS, SEAT HEATER

SAFETY FRAME A33328



1	A21214	1	SAFETY FRAME
2	A47747	1	ROOF PLATE
3	73322	8	HEXAGONAL SCREW ZN M12* 40 DIN 931
4	72151	4	HEXAGONAL SCREW ZN M10* 30 DIN 933
5	72119	2	HEXAGONAL SCREW ZN M 6* 25 DIN 933
6	72324	8	HEXAGONAL NUT M12 DIN 985 NYLOC
7	72322	4	HEXAGONAL NUT M10 DIN 985 ZN
8	72318	2	HEXAGONAL NUT M6 DIN 985 NYLOC
9	74532	8	WASHER, PAIR, M12 NL12 NORDLOCK
10	73018	8	WASHER M10 R11 DIN 440 ZN KORI
11	71681	2	WASHER M 6 R6,6 DIN 440 ZN KORI

CHASSIS, FRONT A1358

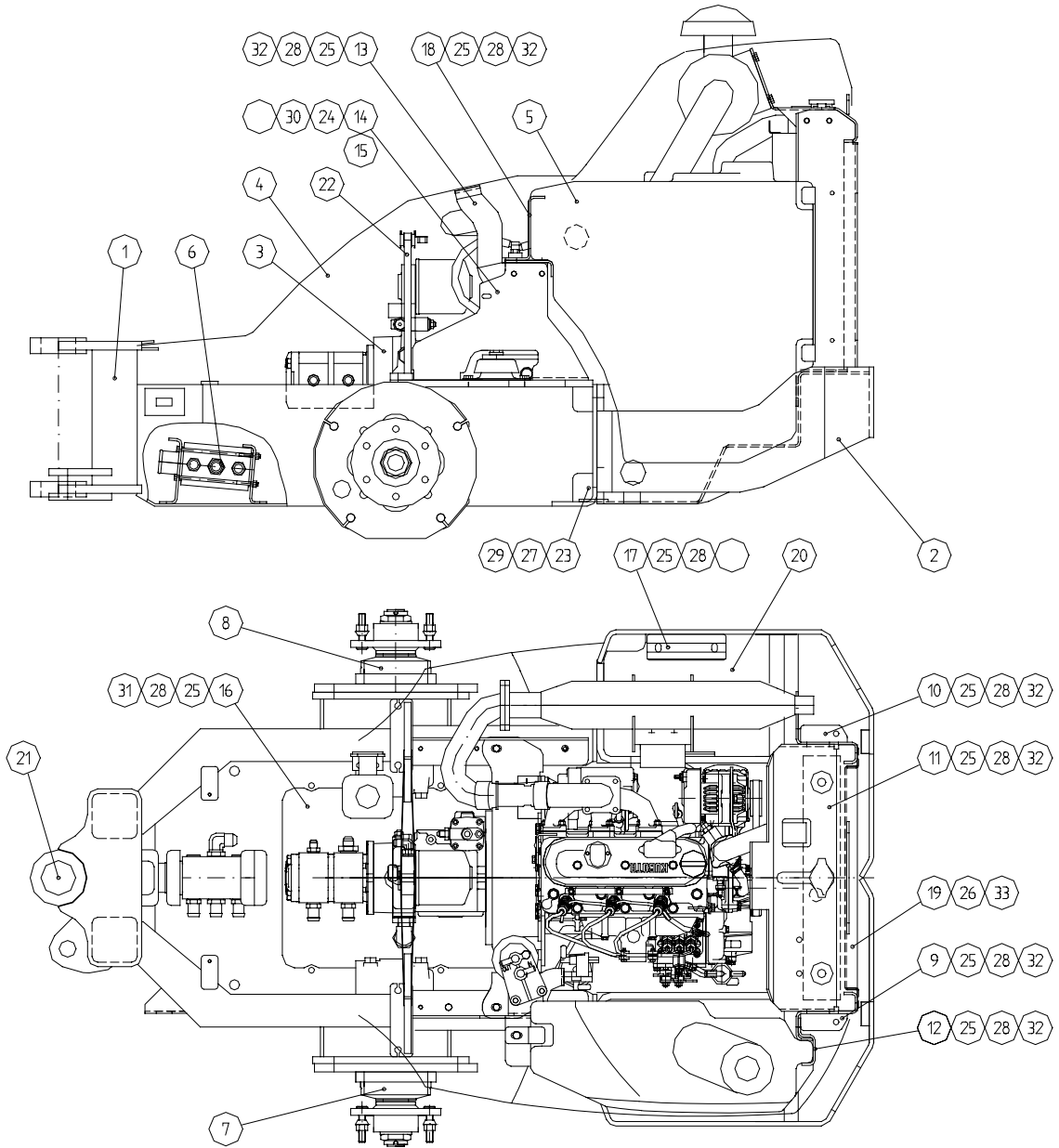


## CHASSIS, FRONT A1358

1	A21148	1	CHASSIS, FRONT
2	A21209	1	TELESCOPIC BOOM
3	A21212	1	COVER PLATES, CHASSIS FRONT
4	A33295	1	PARKING BRAKE
5	A33323	1	DRIVE PEDAL
6	A47714	1	DRIVE MOTOR, OMT, FRONT LEFT
7	A47715	1	DRIVE MOTOR, OMT, FRONT RIGHT
8	A21213	1	MAIN CONTROL VALVE / JOYSTICK
9	A47723	1	HYDRAULIC OIL COOLER
10	A47248	1	FRAME LOCK
11	A47834	1	BAR, LEFT
12	A47389	1	BAR, RIGHT
13	A47722	1	SIDE PLATE
14	A47398	1	SEAT BASE
15	A47399	1	FLOOR PLATE
16	A47530	1	FOOTBOARD
17	A47531	1	EDGE PLATE
18	A47655	1	PIVOT PIN F30-60
19	A47361	1	BOTTOM PLATE
20	A47713	1	SERVICE SUPPORT, LIFT CYLINDER
21	A42791	1	HYDR. CYL. F50/F30-172 LMIN=399 F30
22	A48010	1	DIPSTICK-BREATHER R 1 1/4"
23	73058	4	HEXAGONAL SCREW ZN M12* 40 DIN 933
24	72151	4	HEXAGONAL SCREW ZN M10* 30 DIN 933
25	72147	1	HEXAGONAL SCREW ZN M10* 16 DIN 933
26	72143	1	HEXAGONAL SCREW ZN M 8* 80 DIN 931
27	72128	4	HEXAGONAL SCREW ZN M 8* 12 DIN 933
28	72130	6	HEXAGONAL SCREW ZN M 8* 20 DIN 933
29	64188	1	FINGER SCREW R5026M8S (NUT)
30	74532	4	WASHER, PAIR, M12 NL12 NORDLOCK
31	74531	1	WASHER, PAIR, M10 NL10 NORDLOCK
32	74423	4	WASHER M10 11 DIN 126
33	73122	6	WASHER M 8 A8,4 DIN 125 ZN
34	72324	4	HEXAGONAL NUT M12 DIN 985 ZNNYLOC
35	72322	4	HEXAGONAL NUT M10 DIN 985 ZN
36	72320	6	HEXAGONAL NUT ZN M8 DIN 985 NYLOC
37	A44054	2	DRAIN LINE, FRONT WHEELS

CHASSIS, REAR, AVANT 630

A21220



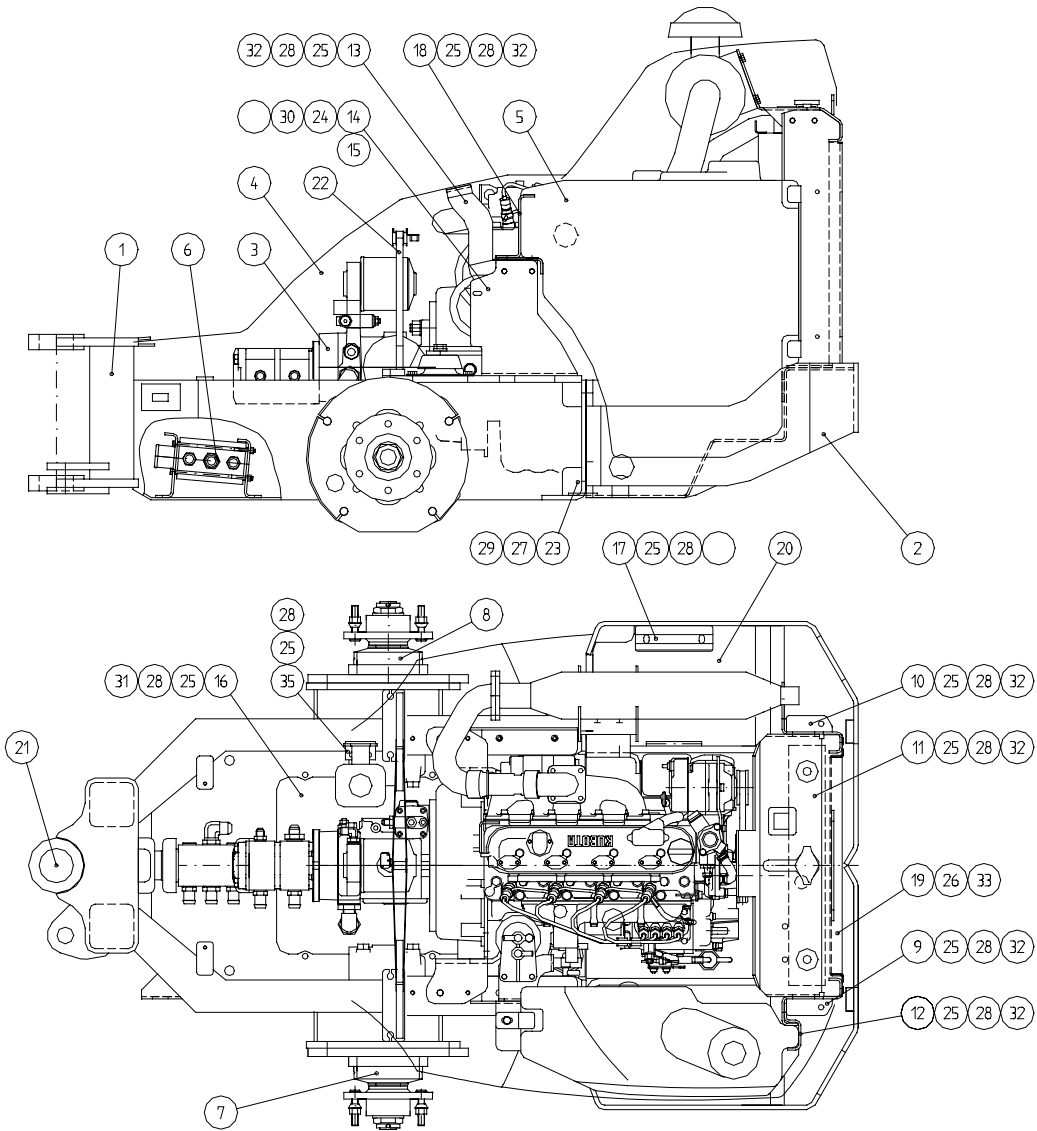


## CHASSIS, REAR, AVANT 630

A21220

1	A21149	1	CHASSIS, REAR, FRONT PART
2	A33311	1	CHASSIS, REAR
3	A21219	1	ENGINE, KUBOTA D1105
4	A21211	1	COVER PLATES, CHASSIS REAR
5	A47757	1	FUEL TANK 30L
6	A33326	1	HYDRAULIC MANIFOLD
7	A47703	1	DRIVE MOTOR, OMT, REAR LEFT
8	A47704	1	DRIVE MOTOR, OMT, REAR RIGHT
9	A47369	1	STIFFENER, LEFT
10	A47370	1	STIFFENER, RIGHT
11	A47674	1	COVER PLATE, RADIATOR
12	A47430	1	BRACKET, FUEL TANK
13	A47667	1	SUPPORT BRACKET, COVER PLATES
14	A47552	1	BRACKET, LEFT
15	A47702	1	BRACKET, RIGHT
16	A47262	1	CLEANING HATCH
17	A47372	1	BRACKET, BATTERY
18	A47553	1	LOCKING BAR
19	A47927	1	NET, REAR
20	64199	1	BATTERY 12V DIN 543-17
21	64911	2	ARTICUL. BEARING GE40ES F62/40-28(22)
22	A47928	1	LOAD CONTROL SYSTEM, ASSEMBLY
23	72191	4	HEXAGONAL SCREW ZN M16* 40 DIN 933
24	73040	4	HEXAGONAL SCREW ZN M10* 20 DIN 933
25	72130	21	HEXAGONAL SCREW ZN M8* 20 DIN 933
26	72116	4	HEXAGONAL SCREW ZN M6* 12 DIN 933
27	72330	4	HEXAGONAL NUT M16 DIN985 NYLOC
28	72320	21	HEXAGONAL NUT ZN M8 DIN 985 NYLOC
29	74533	4	WASHER, PAIR, M16 NL16 NORDLOCK
30	74423	4	WASHER M10 11 DIN 126
31	71685	8	WASHER M 8 R9 DIN 440 ZN KORI
32	74526	18	WASHER M 8 8,4*25*1,5 ZN
33	71681	4	WASHER M 6 R6,6 DIN 440 ZN KORI
34	A47831	2	DRAIN LINE, REAR WHEELS, L=950
35	A47746	1	BRACKET, EXPANSION TANK

CHASSIS, REAR, AVANT 635 A21210

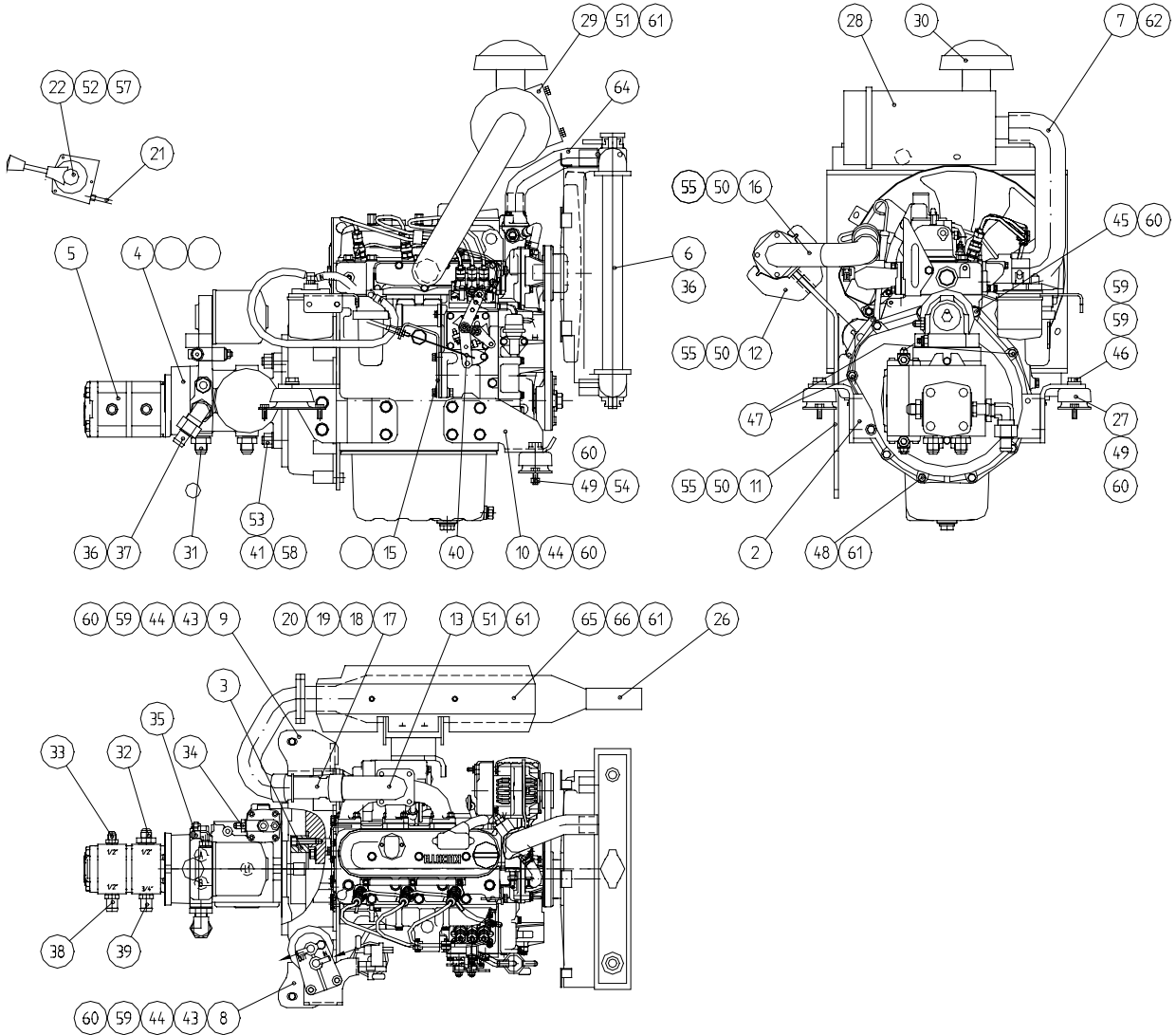


## CHASSIS, REAR, AVANT 635 A21210

1	A21149	1	CHASSIS, REAR, FRONT PART
2	A33311	1	CHASSIS, REAR
3	A21206	1	ENGINE, KUBOTA V1505
4	A21211	1	COVER PLATES, CHASSIS REAR
5	A47757	1	FUEL TANK 30L
6	A33326	1	HYDRAULIC MANIFOLD
7	A47703	1	DRIVE MOTOR, OMT, REAR LEFT
8	A47704	1	DRIVE MOTOR, OMT, REAR RIGHT
9	A47369	1	STIFFENER, LEFT
10	A47370	1	STIFFENER, RIGHT
11	A47674	1	COVER PLATE, RADIATOR
12	A47430	1	BRACKET, FUEL TANK
13	A47667	1	SUPPORT BRACKET, COVER PLATES
14	A47552	1	BRACKET, LEFT
15	A47702	1	BRACKET, RIGHT
16	A47262	1	CLEANING HATCH
17	A47372	1	BRACKET, BATTERY
18	A47553	1	LOCKING BAR
19	A47927	1	NET, REAR
20	64199	1	BATTERY 12V DIN543-17
21	64911	2	ARTICUL. BEARING GE40ES F62/40-28(22)
22	A47928	1	LOAD CONTROL SYSTEM, ASSEMBLY
23	72191	4	HEXAGONAL SCREW ZN M16* 40 DIN 933
24	73040	4	HEXAGONAL SCREW ZN M10* 20 DIN 933
25	72130	21	HEXAGONAL SCREW ZN M8* 20 DIN 933
26	72116	4	HEXAGONAL SCREW ZN M6* 12 DIN 933
27	72330	4	HEXAGONAL NUT M16 DIN 985 ZNNYLOC
28	72320	21	HEXAGONAL NUT ZN M8 DIN 985 NYLOC
29	74533	4	WASHER, PAIR, M16 NL16 NORDLOCK
30	74423	4	WASHER M10 11 DIN 126
31	71685	8	WASHER M 8 R9 DIN 440 ZN KORI
32	74526	18	WASHER M 8 8,4*25*1,5 ZN
33	71681	4	WASHER M 6 R6,6 DIN 440 KORI
34	A47831	2	DRAIN LINE, REAR WHEELS, L=950
35	A47746	1	BRACKET, EXPANSION TANK

## ENGINE, AVANT 630 / D1105

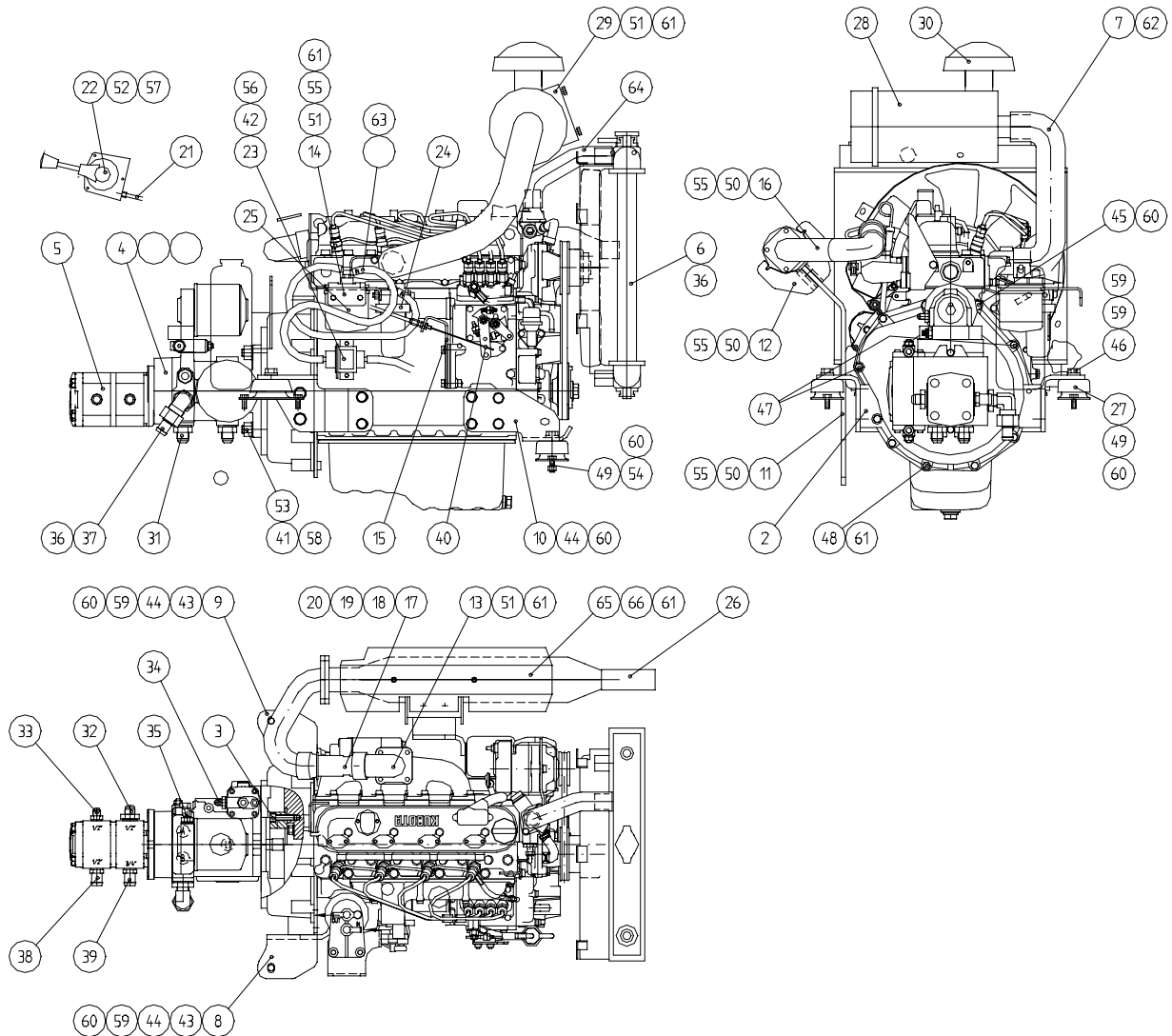
A21219



1	64596	1	DIESEL ENGINE KUBOTA D1105
2	64691	1	FLYWHEEL HOUSING EAK4984 S05 SAE-B
3	64690	1	COUPLING EAK4921 16/32 Z=13
4	64917	1	VARIABLE DISPLACEMENT PUMP M4PV28
5	64935	1	GEAR PUMP, TWIN
6	64926	1	RADIATOR, KIT 1G665-72001F388
7	A47761	1	INLET HOSE D1105
8	A47250	1	BRACKET, ENGINE, LEFT
9	A47251	1	BRACKET, ENGINE, RIGHT
10	A47252	1	BRACKET, ENGINE, REAR
11	A47366	1	BRACKET, EXHAUST MUFFLER
12	A47373	2	BRACKET
13	A48001	1	EXHAUST PIPE
14	A47693	1	SUPPORT
15	A47999	1	BRACKET, THROTTLE WIRE

16	A47659	1	EXHAUST PIPE
17	A46004	1	EXHAUST PIPE, OUTER PART
18	A46003	1	EXHAUST PIPE, INNER PART
19	A46002	2	RING
20	A46005	1	SPRING 3*41*140 nt 8,5
21	A47712	1	THROTTLE WIRE AVANT 600
22	73762	1	CONTROL DEVICE F7110 (HAND THROTTLE)
24	64920	1	WATER SEPARATOR KIT424 16614-43001
25	64868	1	FUEL FILTER, KIT 16616-43001 D1105
26	A47915	1	EXHAUST MUFFLER
27	64940	3	ENGINE MOUNT 17-1600-1M55
28	64923	1	AIR FILTER VIRGIS FC05-11852
29	64925	2	BRACKET VIRGIS CF05-12906
30	64924	1	COVER VIRGIS CP-11105
31	64692	3	BASIC FITTING F40XS16-3/4
32	64058	1	BASIC FITTING F40XS12-1/2
33	64058	1	BASIC FITTING F40XS12-1/2
34	64678	2	BASIC FITTING F40XS6-1/4"
35	64087	1	ELBOW FITTING 90° C40XS10-1/4"
36	A33333	1	FRAME, RADIATOR
37	A43056	1	HOSE COUPLING
38	64110	1	HOSE COUPLING R1/2"UK - 19 MM L=44
39	64915	1	HOSE COUPLING R3/4"UK - 19 MM L=44
40	74415	1	SCREW NIPPLE 128.244 S&N
41	74689	2	HEXAGONAL HEAD SCREW M14* 50 DIN 912
42	73766	2	HEXAGONAL HEAD SCREW M6* 16 DIN 912
43	73042	4	HEXAGONAL SCREW ZN M12* 35 DIN 933
44	73936	12	HEXAGONAL SCREW ZN M10*1,25 -25
45	74688	2	HEXAGONAL SCREW ZN M10*1,25 -60
46	73042	3	HEXAGONAL SCREW ZN M12* 35 DIN 933
47	72143	2	HEXAGONAL SCREW ZN M8* 80 DIN 931
48	72139	6	HEXAGONAL SCREW ZN M8* 60 DIN 931
49	73040	6	HEXAGONAL SCREW ZN M10* 20 DIN 933
50	72133	8	HEXAGONAL SCREW ZN M8* 30 DIN 933
51	73039	10	HEXAGONAL SCREW ZN M8* 16 DIN 933
52	74582	3	CROSS-SLOT COUNTERS HEAD SCREW M4*25
53	72327	2	HEXAGONAL NUT M14 DIN 985 NYLOC
54	72322	2	HEXAGONAL NUT M10 DIN 985 ZN
55	72320	10	HEXAGONAL NUT ZN M8 DIN 985 NYLOC
56	72318	2	HEXAGONAL NUT M6 DIN 985 NYLOC
57	72313	3	HEXAGONAL NUT M4 DIN 985 ZNNYLOC
58	74690	2	WASHER, PAIR, M14 NL14 NORDLOCK
59	74532	7	WASHER, PAIR, M12 NL12 NORDLOCK
60	74531	20	WASHER, PAIR, M10 NL10 NORDLOCK
61	73962	8	WASHER M 8 A8 DIN 127 ZN JOUSI
62		2	
63	74405	8	HOSE CLAMP MINI ABA 13MM
64	A47758	1	WATER HOSE, UPPER V1505
65	A47739	1	HEAT SHIELD
66	72128	2	HEXAGONAL SCREW ZN M 8* 12 DIN 933
67	64954	1	ELBOW FITTING 45°

## ENGINE, AVANT 635 / V1505 A21206

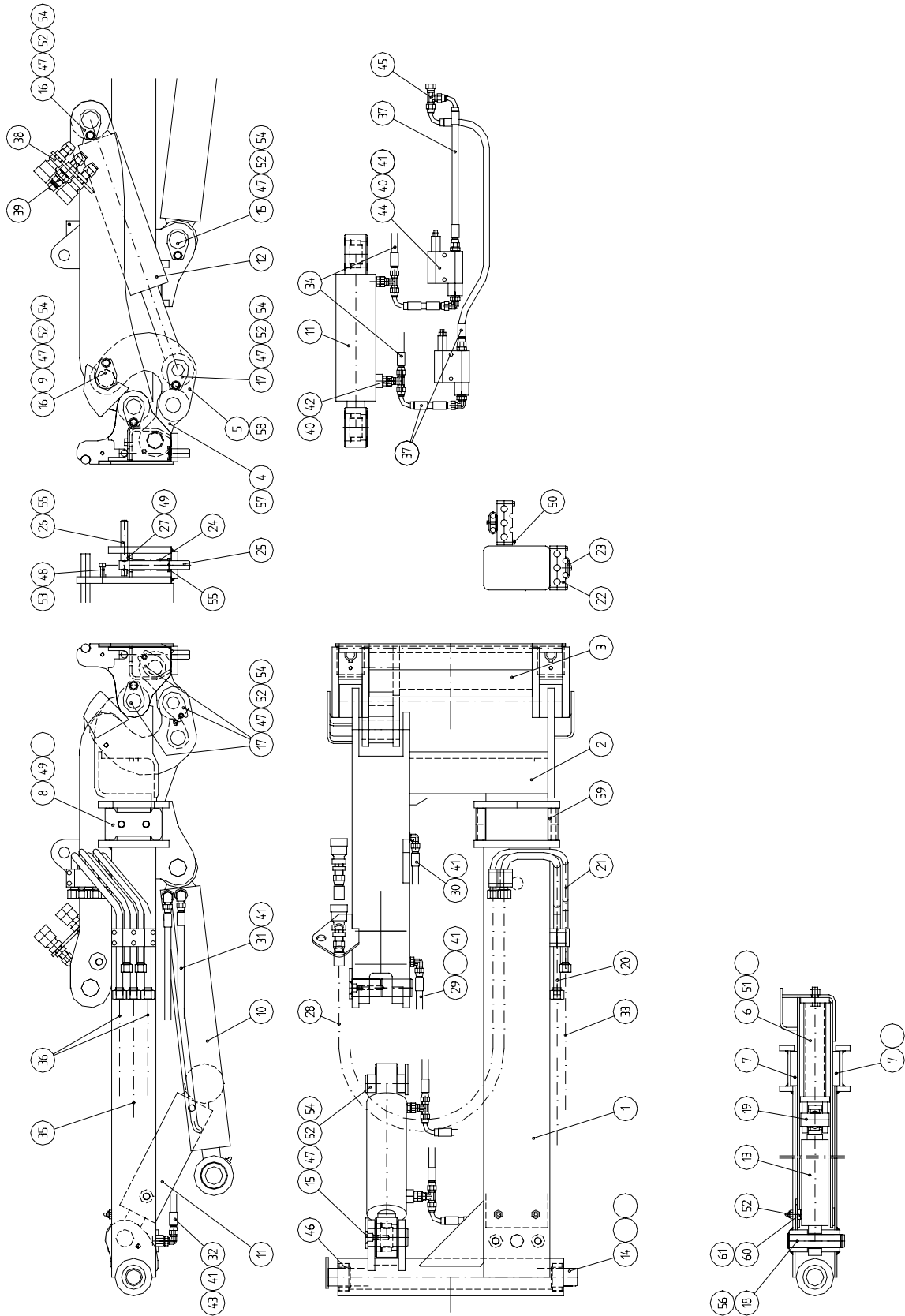


1	64921	1	DIESEL ENGINE KUBOTA V1505-E2B
2	64691	1	FLYWHEEL HOUSING EAK4984 S05 SAE-B
3	64690	1	COUPLING EAK4921 16/32
4	64917	1	VARIABLE DISPLACEMENT PUMP M4PV28
5	64916	1	GEAR PUMP, TWIN
6	64926	1	RADIATOR, KIT, 1G665-72001
7	A47558	1	INLET HOSE AVANT 600
8	A47250	1	BRACKET, ENGINE, LEFT
9	A47251	1	BRACKET, ENGINE, RIGHT
10	A47252	1	BRACKET, ENGINE, REAR
11	A47366	1	BRACKET, EXHAUST MUFFLER
12	A47373	2	BRACKET
13	A47259	1	EXHAUST PIPE
14	A47693	1	SUPPORT
15	A47999	1	BRACKET, THROTTLE WIRE
16	A47659	1	EXHAUST PIPE

17	A46004	1	EXHAUST PIPE, OUTER PART
18	A46003	1	EXHAUST PIPE, INNER PART
19	A46002	2	RING
20	A46005	1	SPRING 3*41*140 nt 8,5
21	A47712	1	THROTTLE WIRE AVANT 600
22	73762	1	CONTROL DEVICE F7110 (HAND THROTTLE)
23	64625	1	FUEL PUMP 68371-51211
24	64920	1	WATER SEPARATOR KIT424 16614-43001
25	64868	1	FUEL FILTER KIT 16616-43001
26	A47915	1	EXHAUST MUFFLER
27	64940	3	ENGINE MOUNT 17-1600-1M55
28	64923	1	AIR FILTER VIRGIS FC05-11852
29	64925	2	BRACKET VIRGIS CF05-12906
30	64924	1	COVER VIRGIS CP-11105
31	64692	3	BASIC FITTING F40XS16-3/4
32	64058	1	BASIC FITTING F40XS12-1/2
33	64058	1	BASIC FITTING F40XS12-1/2
34	64678	2	BASIC FITTING F40XS6-1/4"
35	64087	1	ELBOW FITTING 90° C40XS10-1/4"
36	A33333	1	FRAME, RADIATOR
37	A43056	1	HOSE COUPLING
38	64915	1	HOSE COUPLING R3/4"UK - 19 MM L=44
39	64915	1	HOSE COUPLING R3/4"UK - 19 MM L=44
40	74415	1	SCREW NIPPLE 128.244 S&N
41	74689	2	HEXAGONAL HEAD SCREW M14* 50 DIN 912
42	73766	2	HEXAGONAL HEAD SCREW M6*16 DIN 912 ZN
43	73042	4	HEXAGONAL SCREW ZN M12* 35 DIN 933
44	73936	12	HEXAGONAL SCREW ZN M10*1,25 -25
45	74688	2	HEXAGONAL SCREW ZN M10*1,25 -60
46	73042	3	HEXAGONAL SCREW ZN M12* 35 DIN 933
47	72143	2	HEXAGONAL SCREW ZN M8* 80 DIN 931
48	72139	6	HEXAGONAL SCREW ZN M 8* 60 DIN 931
49	73040	6	HEXAGONAL SCREW ZN M10* 20 DIN 933
50	72133	8	HEXAGONAL SCREW ZN M 8* 30 DIN 933
51	73039	10	HEXAGONAL SCREW ZN M 8* 16 DIN 933
52	74582	3	CROSS-SLOT COUNTERS HEAD SCREW M4*25
53	72327	2	HEXAGONAL NUT M14 DIN 985 NYLOC
54	72322	2	HEXAGONAL NUT M10 DIN 985
55	72320	10	HEXAGONAL NUT M 8 DIN 985 NYLOC
56	72318	2	HEXAGONAL NUT M 6 DIN 985 NYLOC
57	72313	3	HEXAGONAL NUT M 4 DIN 985 NYLOC
58	74690	2	WASHER, PAIR, M14 NL14 NORDLOCK
59	74532	7	WASHER, PAIR, M12 NL12 NORDLOCK
60	74531	20	WASHER, PAIR, M10 NL10 NORDLOCK
61	73962	8	WASHER M 8 A8 DIN 127 ZN JOUSI
62		2	
63	74405	8	HOSE CLAMP MINI ABA 13MM
64	A47758	1	WATER HOSE, UPPER V1505
65	A47739	1	HEAT SHIELD
66	72128	2	HEXAGONAL SCREW ZN M 8* 12 DIN 933
67	64954	1	ELBOW FITTING 45°

TELESCOPIC BOOM & SELF LEVELING

A21209



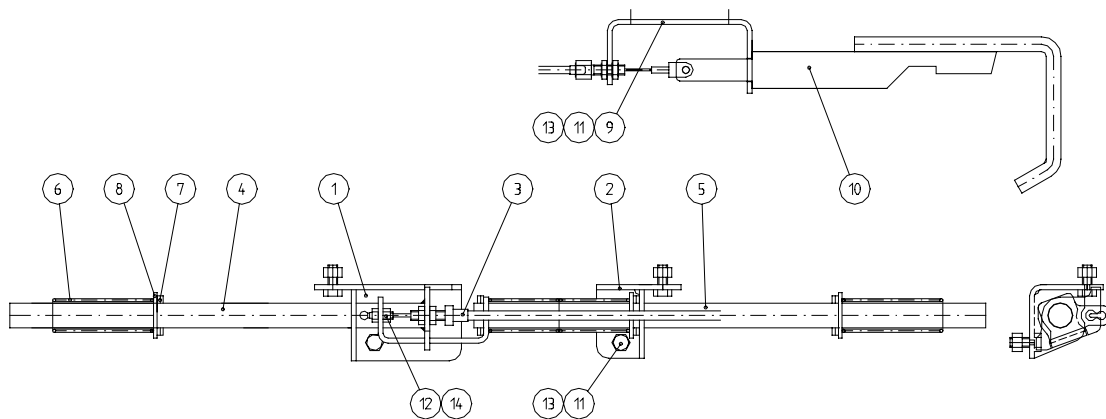


## TELESCOPIC BOOM &amp; SELF LEVELING A21209

1	A33293	1	OUTER BOOM
2	A33294	1	INNER BOOM
3	A33292	1	ATTACHMENT COUPLING PLATE
4	A46999	1	LINKAGE PIECE
5	A47000	1	LINKAGE PIECE ("BOOMERANG")
6	A47002	1	LINKAGE ROD, SELF LEVELING
7	A47070	2	SLIDING PAD
8	A46987	2	COVER PLATE
9	A47069	2	WASHER
10	A47031	1	HYDR. CYL. F80/F40-450 AVANT 635 LIFT
	A47839	1	HYDR. CYL. F63/F40-450 AVANT 630 LIFT
11	A47920	1	HYDR. CYL. F90/F40-142 LMIN=392
12	A47921	1	HYDR. CYL. F90/F40-216 LMIN=465
13	A47032	1	HYDR. CYL. F50/F32-600 LMIN=810
14	A47039	1	PIVOT PIN F40-564
15	A47041	4	PIVOT PIN F40-90
16	A47042	2	PIVOT PIN F40-147
17	A47040	5	PIVOT PIN F35-88
18	A47261	1	PIN F30
19	A47692	1	PIN F30-66
20	A47559	3	HYDRAULIC PIPE F16
21	A47560	2	HYDRAULIC PIPE F12
22	A47562	4	BRACKET, HYDR.PIPE F16/F12
23	A47563	3	BRACKET, HYDR.PIPE F12
24	64138	2	COMPRESSION SPRING, DIN 2098 2*25*135
25	A47687	2	LOCKING PIN F20
26	A47688	2	LATCH PIN
27	A47691	2	GUIDE
28	A47623	3	HYDRAULIC HOSE L=1250 2LW-08
29	A47624	1	HYDRAULIC HOSE L=1300 2LW-06
30	A47625	1	HYDRAULIC HOSE L=1600 2LW-06
31	A47635	2	HYDRAULIC HOSE L=1720 2LW-06
32	A47637	2	HYDRAULIC HOSE L=1300 2LW-06
33	A47638	2	HYDRAULIC HOSE L=1610 2LW-06
34	A47640	2	HYDRAULIC HOSE L=2050 2LW-04
35	A47681	1	HYDRAULIC HOSE L=1020 1LW-08
36	A47639	2	HYDRAULIC HOSE L=1100 2LW-08
37	A47646	4	HYDRAULIC HOSE L=400 2LW-04
38	64190	2	QUICK COUPLER 1/2" 2V54-T5X4
39	64189	1	QUICK COUPLER, NIPPLE 1/2" 4V14-T5X4
40	64041		BASIC FITTING F40XS10-3/8
41	64044		ELBOW FITTING 90° C40XS10-3/8
42	64070	2	T FITTING, THREADED S6XS10
43			
44	64918	2	SEQUENCE VALVE 05.21.07-03-02-35
45	64078	1	L FITTING R6XS10
46	64911	2	ARTICUL. BEARING GE40ES F62/40-28(22)

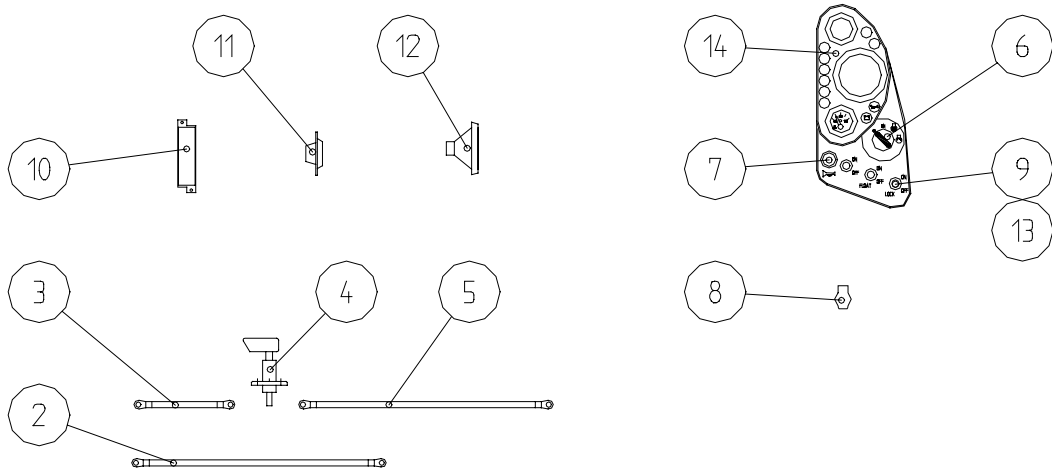
47	72147		HEXAGONAL SCREW ZN M10* 16 DIN 933
48	73100	2	HEXAGONAL HEAD SCREW M8*30 DIN 912 ZN
49	73039	4	HEXAGONAL SCREW ZN M 8* 16 DIN 933
50	72119	6	HEXAGONAL SCREW ZN M 6* 25 DIN 933
51	72324	2	HEXAGONAL NUT M 12 DIN985 NYLOC
52	72798		GREASE NIPPLE DIN 71412 R1/8"
53	72319	2	HEXAGONAL NUT ZN M8 DIN 934 ZN
54	74531		WASHER, PAIR, M10 NL10 NORDLOCK
55	73661	4	SPRING COTTER 5*30 DIN 1481
56	74409	1	SEEGER RING A 30*1,5 DIN 471
57	64913	4	SLIDE BEARING BRM-80 TFP-3550
58	64912	2	SLIDE BEARING BRM-80 TFP-4040
59	A47753	2	SLIDE PLATE
60	A47922	2	SLIDE ROLL
61	A47941	2	SLIDE PLATE
62	A48014	2	ADJUSTMENT PLATE 1MM, LONG
63	A48013	2	ADJUSTMENT PLATE 1MM, SHORT

**PARKING BRAKE A33295**



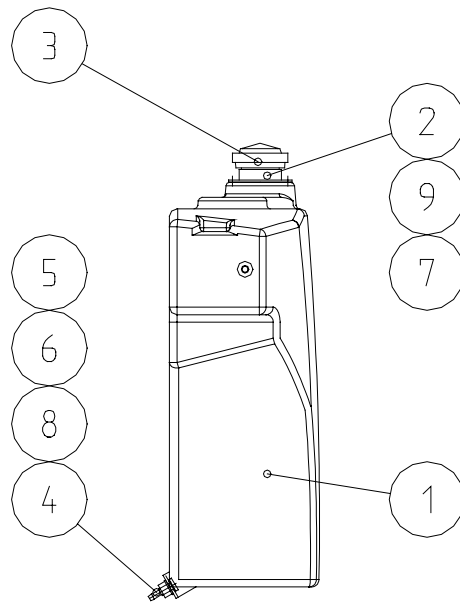
1	A47006	1	BRACKET, LEFT
2	A47007	1	BRACKET, RIGHT
3	A47095	1	PARKING BRAKE WIRE L=1090/980
4	A47012	1	LOCKING PIN, LEFT
5	A47011	1	LOCKING PIN, RIGHT
6	64138	4	COMPRESSION SPRING DIN2098 2*25*135
7	71792	4	SPRING COTTER 5* 32 DIN 1481KELTA
8	73123	3	WASHER M20 A21 DIN 125 ZN
9	A47087	1	GUIDE
10	A47090	1	HANDLE, PARKING BRAKE
11	72130	6	HEXAGONAL SCREW ZN M8* 20 DIN 933
12	72116	1	HEXAGONAL SCREW ZN M6* 12 DIN 933
13	72320	6	HEXAGONAL NUT ZN M8 DIN 985 NYLOC
14	72318	1	HEXAGONAL NUT M6 DIN 985 ZNNYLOC

ELECTRIC SYSTEM A47759



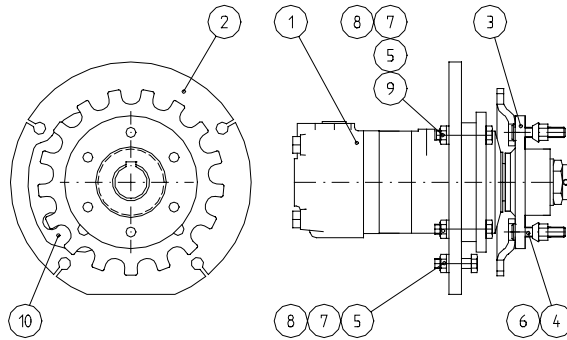
1	A21208	1	WIRE HARNESS AVANT 600
2	A47686	1	CABLE START/BATTERY L=400
3	A47685	1	CABLE BAT.DISCON SWITCH/BATTERY L=150
4	64141	1	BATTERY DISCONNECT SWITCH MBERS-98700
5	A47684	1	CABLE B.DISCONN. SWITCH/EARTH L=650
6	64202	1	IGNITION SWITCH EAK4438 MERIT 330332
7	64074	1	PUSH BUTTON, F22,5 MERIT 201700
8	64213	1	OUTLET 12V MERIT 114320
9	64602	3	TOGGLE SWITCH B067AP 250VAC/10A 1-N
10	64943	1	FUSE BOX
11	64157	1	SIGNAL HORN 12 V DC
12	64785	2	WORK LIGHT COBO 05-0697-0000 12V/27W
13	64603	3	RUBBER COVER V-22, TOGGLE SWITCH
14	64942	1	DASHBOARD IMEL CODE AVT.001

## FUEL TANK 30L A47757



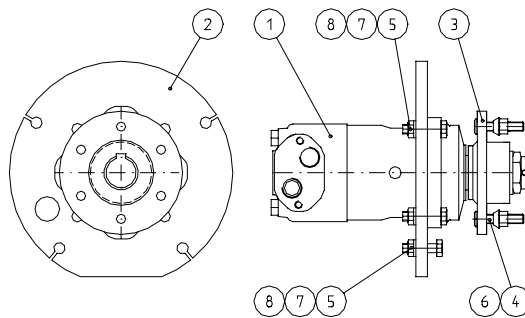
1	A47701	1	FUEL TANK 30L
2	A43133	1	BRACKET, FUEL TANK CAP
3	A44481	1	FUEL GAUGE L=445
4	A43531	2	NIPPLE F7MM
5	72322	2	HEXAGONAL NUT M 10 DIN 985 ZN
6	73121	2	WASHER M10 A10,5 DIN 125 ZN
7	64502	1	GASKET, CAP, F82/F63-1,5 6*F5-F72
8		2	O-RING F10*3 FUEL RESISTANT
9	74140	6	SELF-DRILLING SCREW 6,3*25

**DRIVE MOTOR, FRONT A47714**



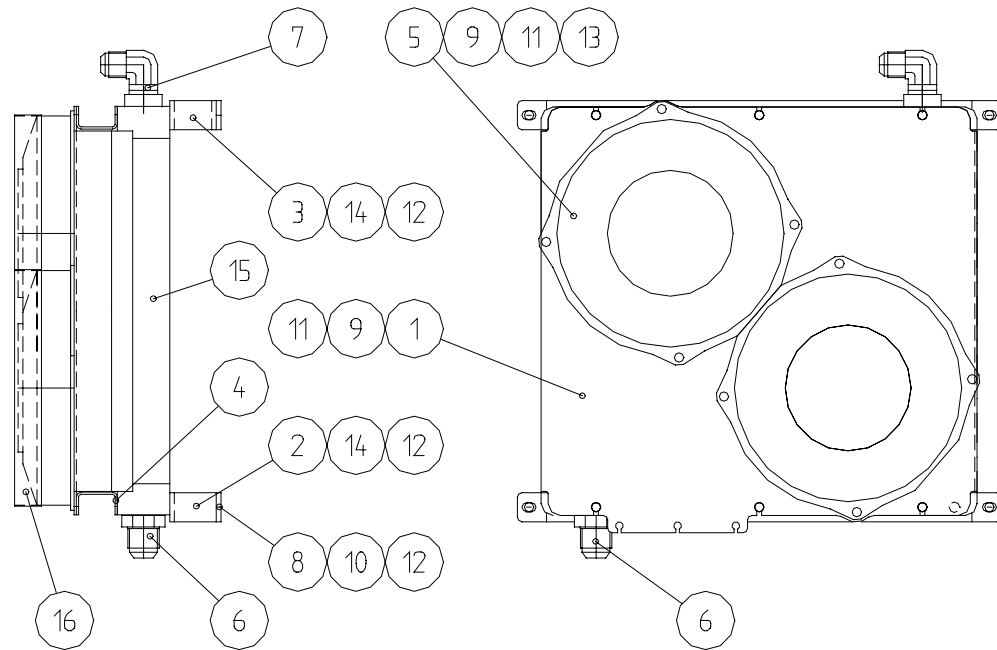
1	64617 64541 64698	1	HYDRAULIC MOTOR	OMT315 151B3015 OMT400 151B3016 OMT500 151B3017
2	A47015	1	MOUNTING BRACKET, HYDRAULIC MOTOR	
3	A47721	1	WHEEL HUB, FRONT	
4	74691	6	WHEEL BOLT 10.9 M12*1,5-60	
5	72071	6	HEXAGONAL SCREW ZN M14* 50 DIN 931	
6	73743	6	WHEEL NUT M12*1,5 DIN74361	
7	72327	8	HEXAGONAL NUT M14 DIN 985 NYLOC	
8	74690	8	WASHER, PAIR, M14 NL14 NORDLOCK	
9	72186	2	HEXAGONAL SCREW ZN M14* 60 DIN 931	
10	A47017	1	DISC, PARKING BRAKE	

**DRIVE MOTOR, REAR A47703**



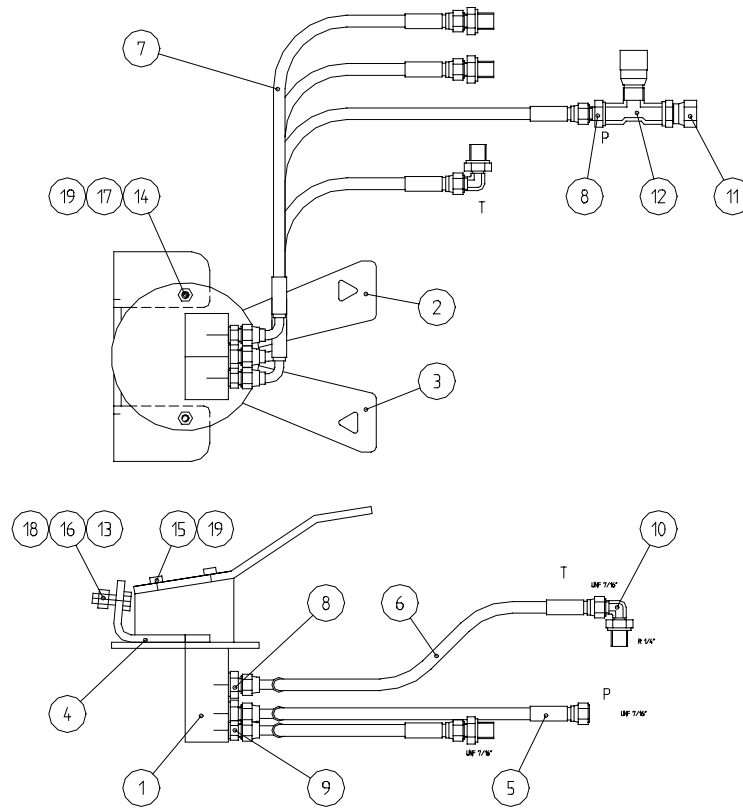
1	64617 64541 64698	1	HYDRAULIC MOTOR	OMT315 151B3015 OMT400 151B3016 OMT500 151B3017
2	A47015	1	MOUNTING BRACKET, HYDRAULIC MOTOR	
3	A46281	1	WHEEL HUB	
4	74691	6	WHEEL BOLT 10.9 M12*1,5-60	
5	72071	8	HEXAGONAL SCREW ZN M14* 50 DIN 931	
6	73743	6	WHEEL NUT M12*1,5DIN74361	
7	72327	8	HEXAGONAL NUT M14 DIN 985 ZNNYLOC	
8	74690	8	WASHER, PAIR, M14 NL14 NORDLOCK	

## HYRAULIC OIL COOLER A47723



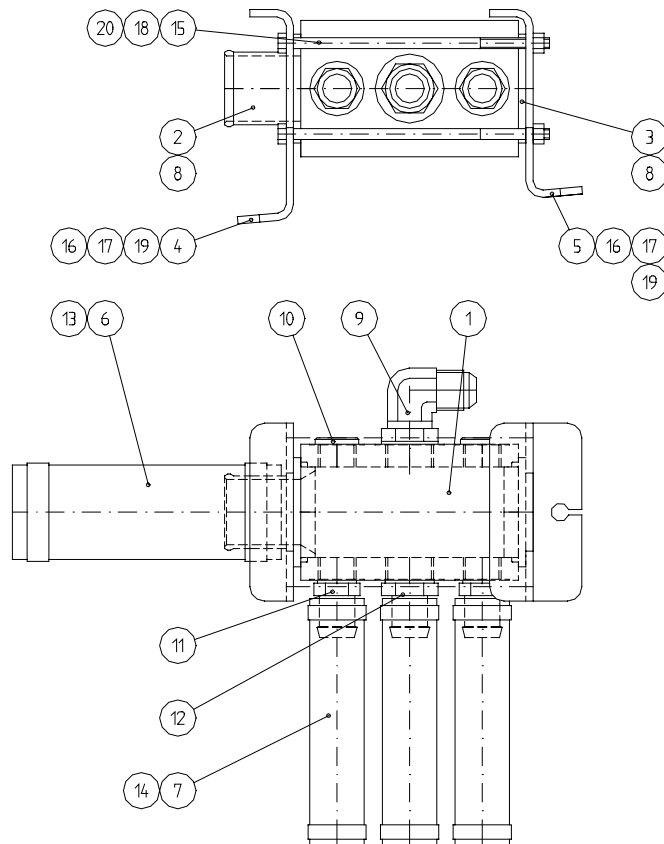
1	A47771	1	FRONT PLATE
2	A47768	1	BRACKET, LOWER
3	A47769	1	BRACKET, UPPER
4	A47770	2	SIDE PLATE
5	64778	2	COOLING FAN SPAL VA14-AP11
6	64099	1	BASIC FITTING F40XS18-3/4
7	64693	1	ELBOW FITTING 90° C40XS16-3/4"
8	72130	4	HEXAGONAL SCREW ZN M8* 20 DIN 933
9	72117	14	HEXAGONAL SCREW ZN M6* 16 DIN 933
10	72320	4	HEXAGONAL NUT ZN M8 DIN 985 NYLOC
11	72318	14	HEXAGONAL NUT M6 DIN 985 NYLOC
12	73122	8	WASHER M 8 A8,4 DIN 125 ZN
13	71682	16	WASHER M 6 A6,4 DIN 6798 ZN
14	72128	4	HEXAGONAL SCREW ZN M8* 12 DIN 933
15	64934	1	OIL COOLER CELL ASA A-2058-3-0-1
16	A48002	2	SEALING PLATE

DRIVE PEDAL A33323



1	64922	1	HYDR. PEDAL HPCF0G218SP00102-16
2	A47550	1	DRIVE PEDAL, LEFT
3	A47551	1	DRIVE PEDAL, RIGHT
4	A47247	1	BRACKET, DRIVE PEDAL
5	A47644	1	HYDRAULIC HOSE L=960 TYPE 087-3/16"
6	A47643	1	HYDRAULIC HOSE L=430 TYPE 087-3/16"
7	A47642	2	HYDRAULIC HOSE L=1020 TYPE 087-3/16"
8	64678	3	BASIC FITTING F40XS6-1/4"
9	64793	2	BASIC FITTING F40XS6-1/8"
10	64687	1	ELBOW FITTING 90° C40XS6-1/4"
11	64060	1	CONNECTOR NIPPLE F64XS10-1/4
12	63879	1	CHECK VALVE 9N400S R1/4"-R1/4"
13	72132	2	HEXAGONAL SCREW ZN M8* 25 DIN 933
14	72118	2	HEXAGONAL SCREW ZN M6* 20 DIN 933
15	72116	4	HEXAGONAL SCREW ZN M6* 12 DIN 933
16	72320	2	HEXAGONAL NUT ZN M8 DIN 985 NYLOC
17	72318	2	HEXAGONAL NUT M6 DIN 985 NYLOC
18	74525	2	WASHER M 8 8,4*20*1,25 ZN
19	74452	6	WASHER M 6 A6 DIN 127 ZN JOUSI

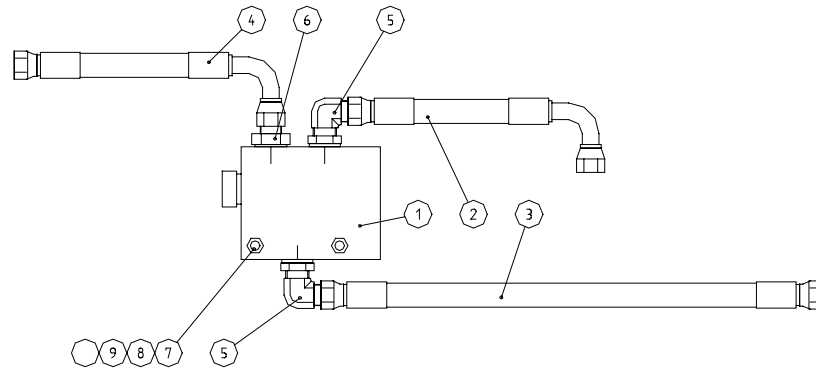
## HYDRAULIC MANIFOLD A33326



1	A47181	1	INLET MANIFOLD
2	A47256	1	INLET FITTING
3	A47257	1	PLUG
4	A47254	1	BRACKET, FRONT
5	A47255	1	BRACKET, REAR
6	A47695	1	INLET HOSE F53/F40 - 290
7	A47767	3	INLET HOSE D=20 L=350
8	74739	2	O-RING NBR F 50,2 * 3,0 70SH
9	64693	1	ELBOW FITTING 90° C40XS16-3/4"
10	64174	2	HEXAGONAL PLUG R 1/2"
11	64110	2	HOSE COUPLING R1/2"UK - 19 MM L=44
12	64915	1	HOSE COUPLING R3/4"UK - 19 MM L=44
13	64338	2	HOSE CLAMP ABA 44-56 MM ZN
14	73530	6	HOSE CLAMP ABA 22-32 MM ZN
15	74743	4	HEXAGONAL HEAD SCREW M6*150 DIN912 ZN
16	72132	2	HEXAGONAL SCREW ZN M8* 25 DIN 933
17	72320	2	HEXAGONAL NUT ZN M8 DIN 985 NYLOC
18	72318	4	HEXAGONAL NUT M6 DIN 985 ZNNYLOC
19	74525	2	WASHER M 8 8,4*20*1,25 ZN
20	71680	8	WASHER M 6 A6,4 DIN 125 ZN

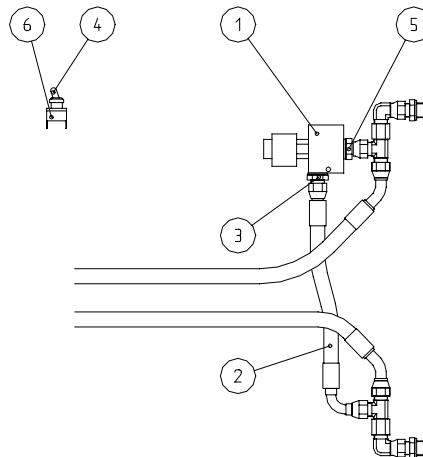


**ANTI SLIP VALVE A33327**



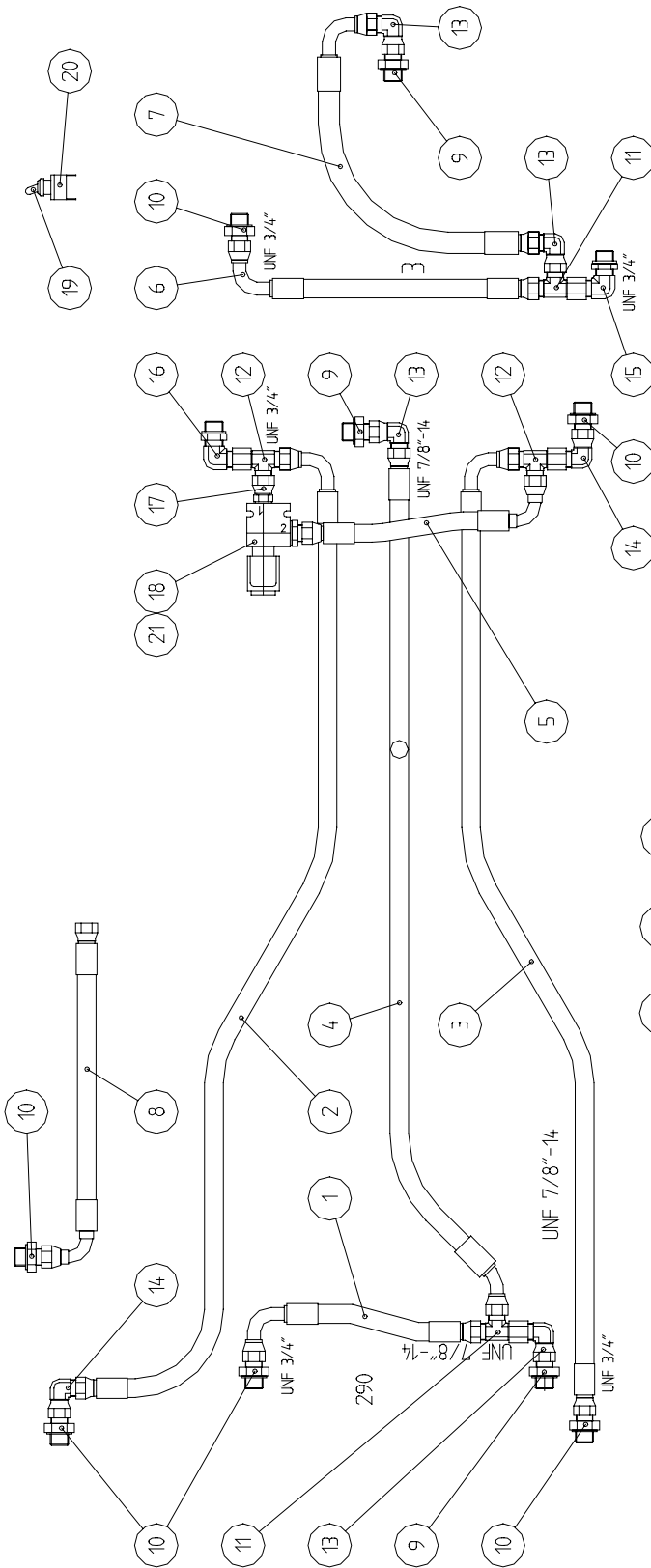
1	64861	1	FLOW DIVIDER VALVE YGDB-XAN-SW/S
2	A45155	1	HYDRAULIC HOSE L=375 2LW-08
3	A47930	1	HYDRAULIC HOSE L=1440 AVANT 635
	A48004		HYDRAULIC HOSE L=1525 AVANT 630
4	A41830	1	HYDRAULIC HOSE L=400 2LW-08 1/2"
5	64693	2	ELBOW FITTING 90° C40XS16-3/4"
6	64544	1	BASIC FITTING F40XS12-3/4
7	72143	2	HEXAGONAL SCREW ZN M8* 80 DIN 931
8	72319	2	HEXAGONAL NUT ZN M8 DIN 934 ZN
9	72320	2	HEXAGONAL NUT ZN M8 DIN 985 NYLOC
10	63944	2	WASHER, PAIR, M 8 NL8SP NORDLOCK

**DRIVE RELEASE VALVE A47931**



1	64676	1	SOLENOID VALVE WK08W
2	A45253	1	HYDRAULIC HOSE L=240 2L W-06
3	64042	1	BASIC FITTING F40XS12-3/8
4	64603	1	RUBBER COVER V-22, TOGGLE SWITCH
5	64082	1	CONNECTOR NIPPLE F64XS12-3/8
6	64602	1	TOGGLE SWITCH B067AP 250VAC/10A 1-N
7	64601	1	CONNECTOR HIRSCHMANN

HYDRAULIC HOSES, DRIVE A33322



- 1
- 5
- 6

Modell/Koike	Pflr.no./Pfluus	Pflr.no./Pfluus	Pflr.no./Pfluus
DMT 315	A45319/310	A45253/240	A45156/310
DMT 400	A45320/290	A45322/220	A45320/290
DMT 500	A47998/262	A47997/192	A47998/262

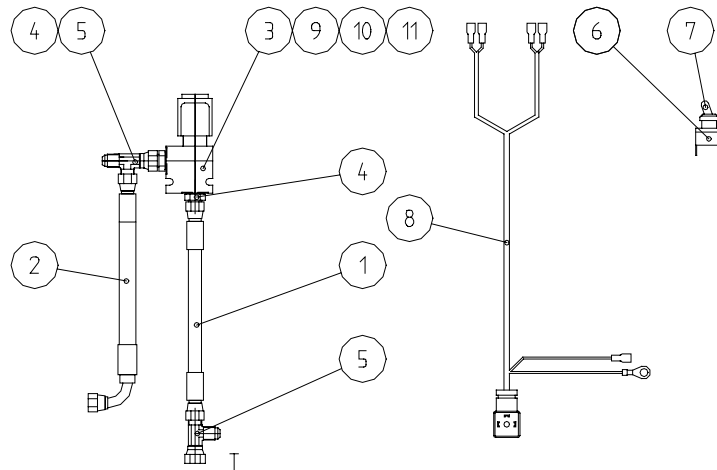
HYDRAULIC HOSES, DRIVE

A33322

1	A45319	1	HYDRAULIC HOSE	2LW-08/OMT315
	A45320		HYDRAULIC HOSE	2LW-08/OMT400
	A47998		HYDRAULIC HOSE	2LW-08/OMT500
2	A47626	1	HYDRAULIC HOSE	L=1500 2LW-08
3	A45160	1	HYDRAULIC HOSE	L=1350 2LW-08
4	A47627	1	HYDRAULIC HOSE	L=1250 AVANT 635
	A48003		HYDRAULIC HOSE	L=1335 AVANT 630
5	A45253	1	HYDRAULIC HOSE	2L W-06/OMT315
	A45322		HYDRAULIC HOSE	2L W-06/OMT400
	A47997		HYDRAULIC HOSE	2L W-06/OMT500
6	A45156	1	HYDRAULIC HOSE	2LW-08/OMT315
	A45320		HYDRAULIC HOSE	2LW-08/OMT400
	A47998		HYDRAULIC HOSE	2LW-08/OMT500
7	A47628	1	HYDRAULIC HOSE	L=800 DIEZZE
8	A47630	1	HYDRAULIC HOSE	L=350 1LW-08
9	64692	3	BASIC FITTING	F40XS16-3/4
10	64544	6	BASIC FITTING	F40XS12-3/4
11	64303	2	L FITTING	R6XS16
12	64050	2	L FITTING	R6XS12
13	64306	4	ELBOW FITTING 90°	C6XS16
14	64134	2	ELBOW FITTING 90°	C6XS12
15	64693	1	ELBOW FITTING 90°	C40XS16-3/4"
16	64914	1	ELBOW FITTING 90°	C40XS12-3/4
17	64082	1	CONNECTOR NIPPLE	F64XS12-3/8
18	64676	1	SOLENOID VALVE	WK08W-01-SB3
19	64603	1	RUBBER COVER V-22,	TOGGLE SWITCH
20	64602	1	TOGGLE SWITCH	B067AP 250VAC/10A 1-N
21	64042	1	BASIC FITTING	F40XS12-3/8

## BOOM FLOATING SYSTEM

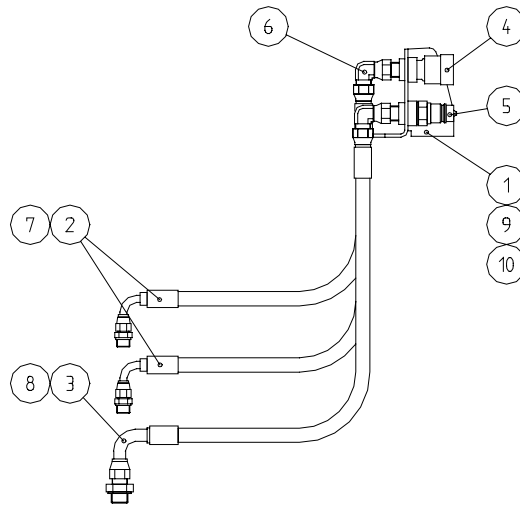
A47773



1	A47916	1	HYDRAULIC HOSE L=900 1LW-06
2	A47907	1	HYDRAULIC HOSE L=980 2L W-06
3	64676	1	SOLENOID VALVE WK08W-01-SB3
4	64041	2	BASIC FITTING F40XS10-3/8
5	64078	2	L FITTING R6XS10
6	64602	1	TOGGLE SWITCH B067AP 250VAC/10A 1-N
7	64603	1	RUBBER COVER V-22, TOGGLE SWITCH
8	A47841	1	WIRE HARNESS, BOOM FLOATING
9	74515	2	HEXAGONAL SCREW ZN M6* 45 DIN 933
10	72318	2	HEXAGONAL NUT M6 DIN 985 NYLOC
11	74523	2	WASHER M 6 6,5*20*1,25 ZN

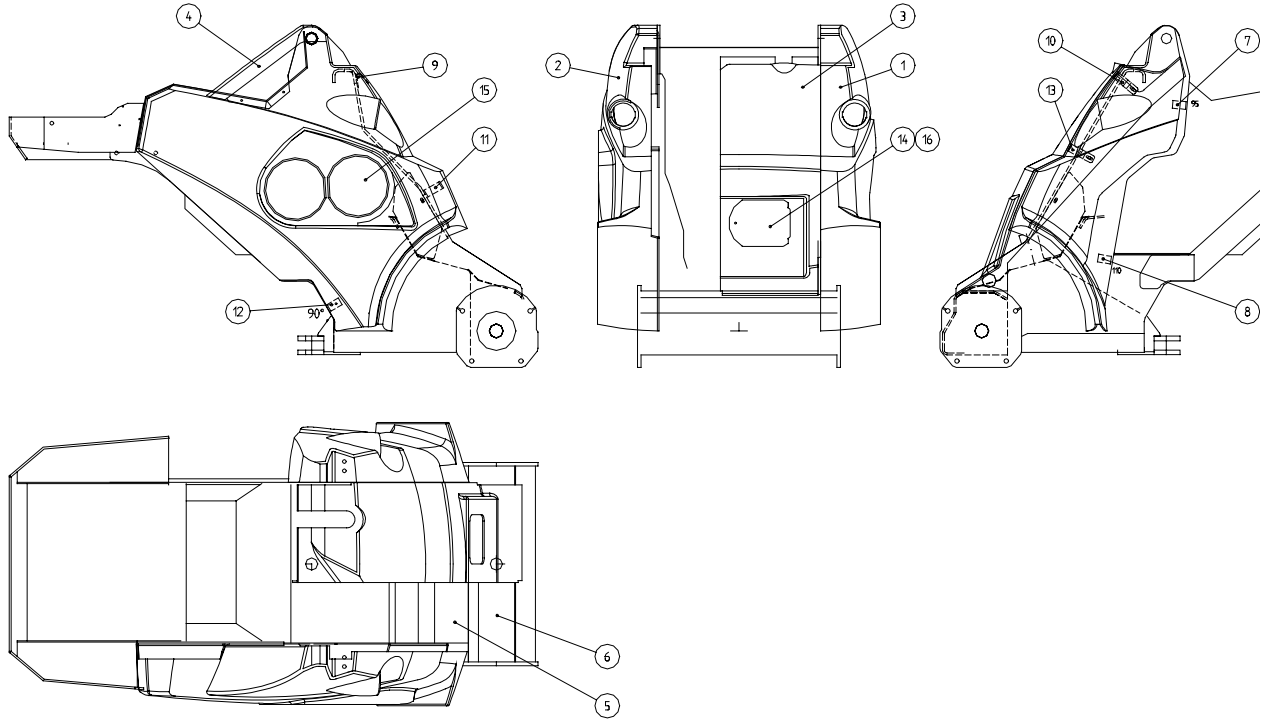
AUX. HYDRAULICS REAR, DOUBLE ACTING

A47774



1	A47840	1	PLATE
2	A47918	2	HYDRAULIC HOSE L=3800 2LW-06
3	A47917	1	HYDRAULIC HOSE L=1600 1LW-06
4	64190	2	QUICK COUPLER 1/2" 2V54-T5X4
5	64189	1	QUICK COUPLER, NIPPLE 1/2" 4V14-T5X4
6	64134	3	ELBOW FITTING 90° C6XS12
7	64041	2	BASIC FITTING F40XS10-3/8
8	64058	1	BASIC FITTING F40XS12-1/2
9	73039	2	HEXAGONAL SCREW ZN M 8* 16 DIN 933
10	72319	2	HEXAGONAL NUT ZN M8 DIN 934 ZN

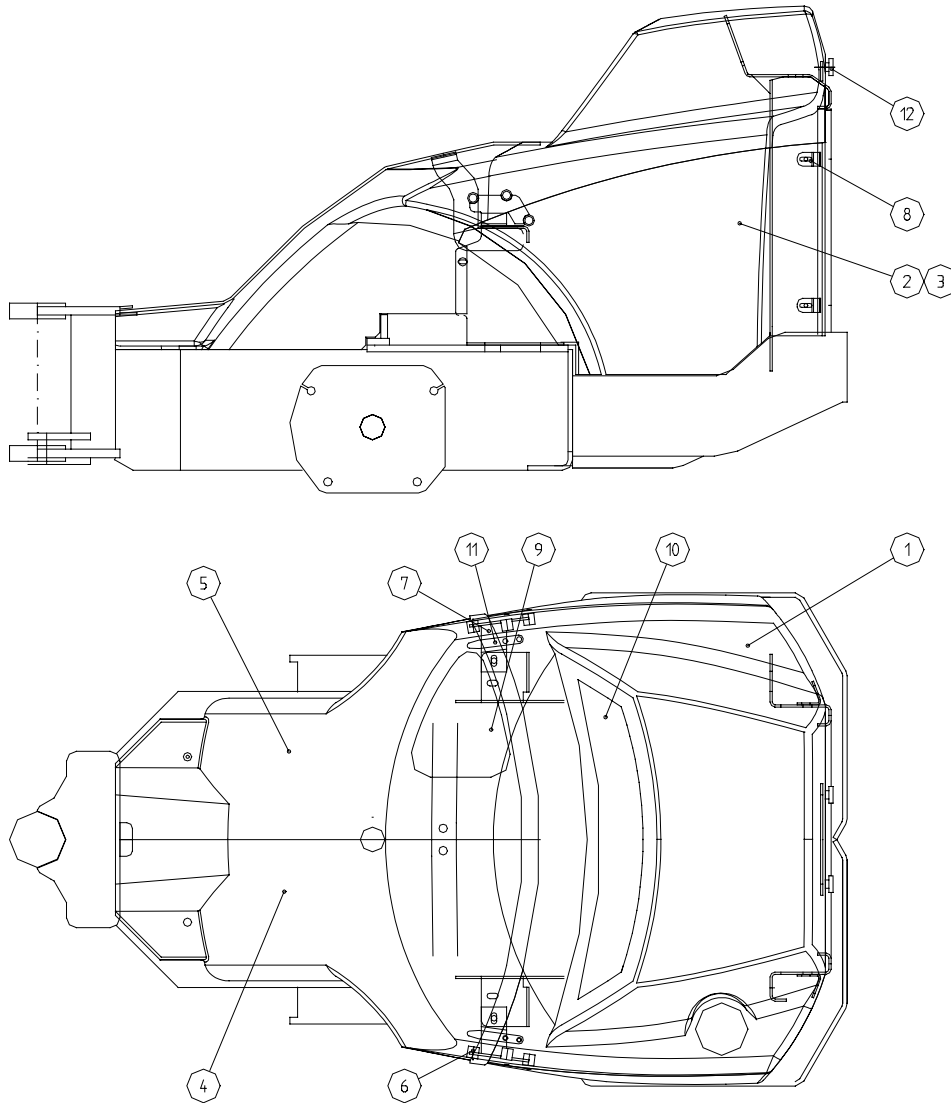
## COVER PLATES, FRONT A21212



1	A47716	1	COVER PLATE, SIDE, FRONT, LEFT
2	A47717	1	COVER PLATE, SIDE, FRONT, RIGHT
3	A47718	1	COVER PLATE, CENTER
4	A47719	1	PANEL, ABS
5	A47656	1	COVER
6	A47657	1	COVER PLATE, LOWER
7	A47676	1	ANGLE BRACKET 95°
8	A47677	1	ANGLE BRACKET 110°
9	A47755	1	ANGLE BRACKET 152°
10	A47751	1	ANGLE BRACKET 95°
11	A47678	1	U BRACKET
12	A47756	1	ANGLE BRACKET 90°
13	A47772	1	ANGLE BRACKET 105°
14	A48000	1	CLEANING HATCH
15	A48006	2	NET
16	64941	1	FINGER SCREW, REEDED R3015RM620S

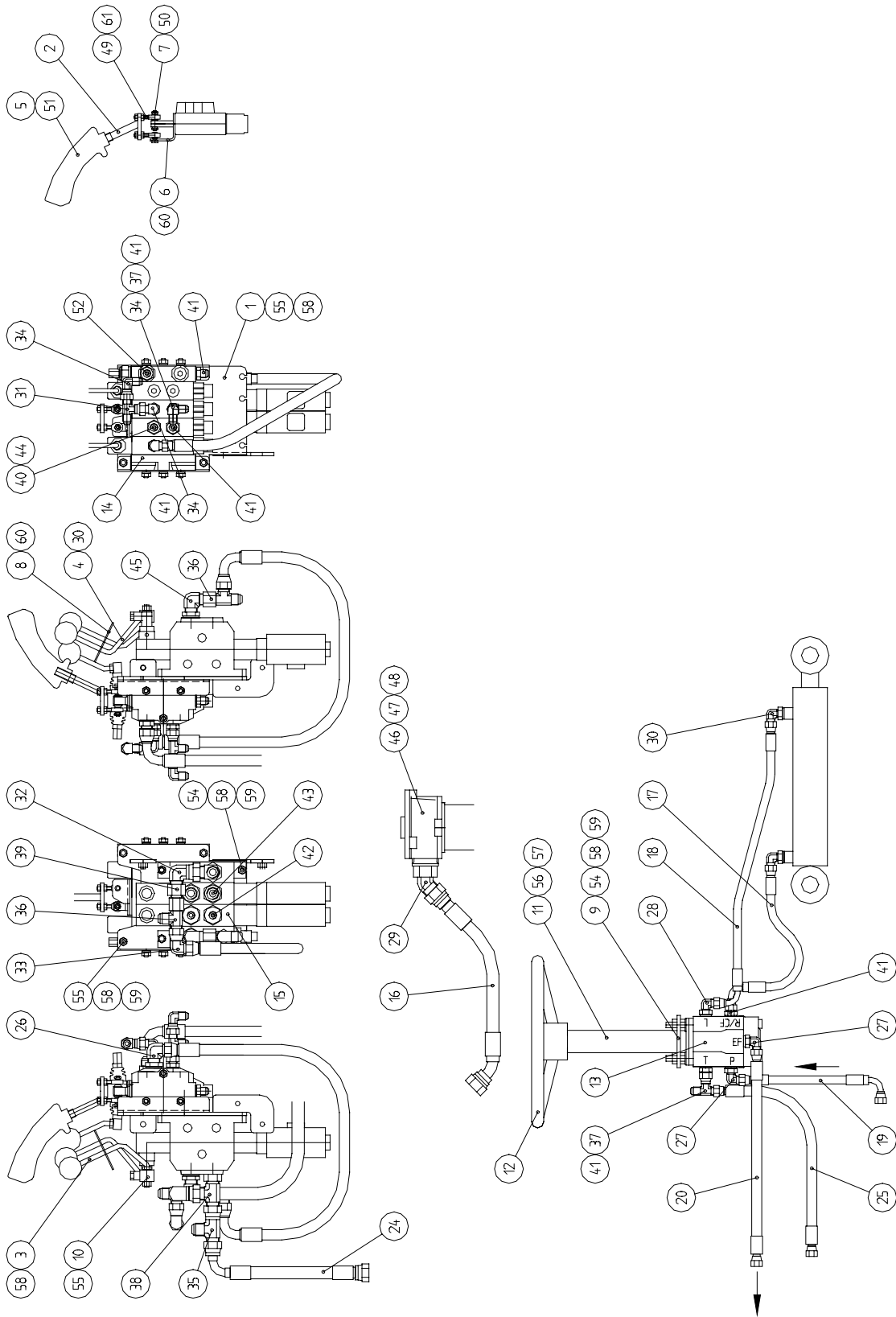
COVER PLATES, REAR

A21211



1	A47696	1	COVER PLATE, ENGINE, ABS
2	A47697	1	SIDE PLATE, REAR, LEFT, ABS
3	A47698	1	SIDE PLATE, REAR, RIGHT, ABS
4	A47699	1	COVER PLATE, PUMPS, LEFT, ABS
5	A47700	1	COVER PLATE, PUMPS, RIGHT, ABS
6	A47671	1	BRACKET, LEFT
7	A47672	1	BRACKET, RIGHT
8	A47677	4	ANGLE BRACKET 110°
9	A47710	1	NET
10	A47709	1	NET
11	A47942	2	CLAMP
12	64941	2	FINGER SCREW, REEDED R3015RM620S

MAIN CONTROL VALVE A21213





## MAIN CONTROL VALVE

## A21213

1	A47448	1	BRACKET, CONTROL VALVE
2	A47447	1	LEVER
3	A47726	1	CONTROL LEVER, AUXILIARY HYDRAULICS
4	A47727	1	CONTROL LEVER, TELESCOPIC BOOM
5	A33332	1	WIRE HARNESS, JOYSTICK
6	A42838	1	BRACKET
7	A41821	2	PIN, CONTROL LEVERS
8	A47724	1	LOCKING SLOT
9	A47108	1	BRACKET, STEERING HYDR. MOTOR
10	A47725	1	CROSS PIECE BRACKET
11	64780	1	STEERING WHEEL ROD M+S KK600 - I
12	64787	1	STEERING WHEEL COBO F320
13	64178	1	CONTROL BLOCK (HYDR.MOTOR) M+S HKUS80
14	64938	1	CONTROL VALVE HI HDS 11/4
15	64928	1	CONTROL VALVE HC-D3M/2 ORD.CODE39134
16	A47905	1	HYDRAULIC HOSE L=460 1LW-10
17	A47631	1	HYDRAULIC HOSE L=710 R1AT-04
18	A47632	1	HYDRAULIC HOSE L=960 R1AT-04
19	A47633	1	HYDRAULIC HOSE L=1040 2LW-06
20	A47634	1	HYDRAULIC HOSE L=1400 2LW-06
21	A47641	1	HYDRAULIC HOSE L=1500 R2AT-08
22	A47730	1	HYDRAULIC HOSE L=600 2LW-06
23	A47729	1	HYDRAULIC HOSE L=550 1LW-08
24	A47682	1	HYDRAULIC HOSE L=280 1LW-10
25	A47731	1	HYDRAULIC HOSE L=1500 1LW-06
26	64068	1	ELBOW FITTING 90° C40XS12-3/8
27	64045	2	ELBOW FITTING 90° C40XS12-1/2
28	64044	1	ELBOW FITTING 90° C40XS10-3/8
29	64109	1	ELBOW FITTING 45° V40XS20-3/4
30	64087	2	ELBOW FITTING 90° C40XS10-1/4"
31	64070	1	T FITTING, THREADED S6XS10
32	64306	1	ELBOW FITTING 90° C6XS16
33	64134	1	ELBOW FITTING 90° C6XS12
34	64043	2	ELBOW FITTING 90° C6XS10
35	64303	1	L FITTING R6XS16
36	64050	2	L FITTING R6XS12
37	64078	1	L FITTING R6XS10
38	64910	1	L FITTING R40XS16-1/2
39	64909	1	REDUCER FITTING TRTXS16-12
40	64324	1	REDUCER FITTING RI 3/8"-EDX 1/4"
41	64041	5	BASIC FITTING F40XS10-3/8
42	64040	2	BASIC FITTING F40XS10-1/2
43	64058	2	BASIC FITTING F40XS12-1/2
44	64059	1	BASIC FITTING F40XS10-1/4
45	64045	1	ELBOW FITTING 90° C40XS12-1/2
46	64176	1	HYDR. OIL FILTER COMPLETE OMTF 75-20
47	74093	1	FILTER CARTRIDGE MF100 F5-6/P20
48	64096	1	THERMOSTATIC SWITCH TBF60A12
49	63690	3	ROD END BEARING ASAHI JAM 6

50	A41822	4	NUT, LEVERS, M6
51	64641	1	JOYSTICK WALVOIL HB520
52	64042	1	BASIC FITTING F40XS12-3/8
53	64070	1	T FITTING, THREADED S6XS10
54	72133	4	HEXAGONAL SCREW ZN M 8* 30 DIN 933
55	72130	7	HEXAGONAL SCREW ZN M 8* 20 DIN 933
56	74587	4	STUD M10* 35 DIN 939-5.8
57	72321	8	HEXAGONAL NUT ZN M 10 DIN 934
58	72320	12	HEXAGONAL NUT ZN M8 DIN 985 NYLOC
59	73121	12	WASHER M10 A10,5 DIN 125 ZN
60	72110	2	HEXAGONAL SCREW ZN M 5* 16 DIN 933
61	72317	6	HEXAGONAL NUT M 6 DIN 934 ZN

**FILTER LIST, AVANT 630 AND 635**

Part no.	Filter	Type
74093	HYDR. OIL FILTER, RETURN	MP MF100 1 P10 B
64807	HYDR. OIL FILTER, PRESSURE	B&P 539047001
64956	AIR FILTER	VIRGIS CH05-11106
64627	ENGINE OIL FILTER	KUBOTA 16271-3209-2
64626	FUEL FILTER	KUBOTA 15221-4308-0
64657	FUEL FILTER, IN FUEL HOSE	KUBOTA 12581-43012
64963	FILTER, WATER SEPARATOR	KUBOTA 15831-43380